



26 Frame Permanent Magnet DC Motors

Motors are available in 12, 24, or 90 volts.
Power range from 1/53 to 1/9 HP.

Specifications

Armatures: Dynamically balanced
Commutators: Tang-type, diamond turned
Varnishing: Class H polyester trickle varnishing
Magnets: Highest grade ceramic
Finish: Gloss black powder coat

Brushes: Oversized with integral shunts
Replaceable, pg. 86
Bearings: Double shielded ball
Shafts: Carbon steel
Casting: Zinc alloy
Mounting: Base and face
Insulation: Class F

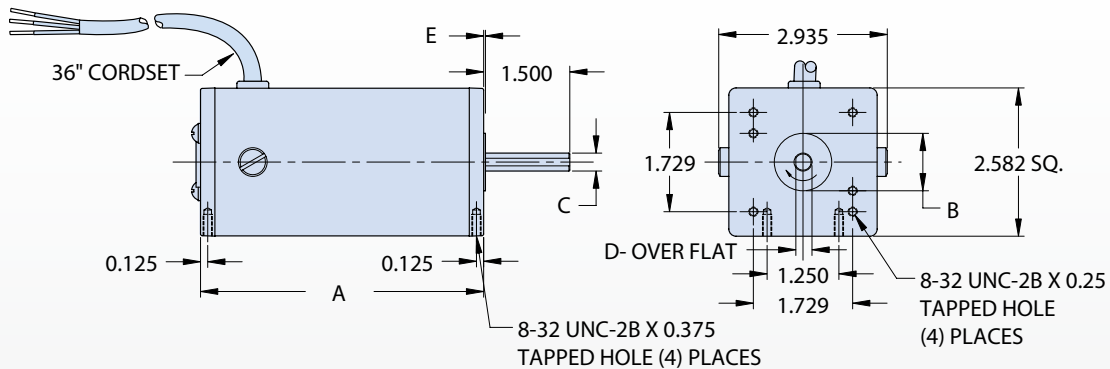
Additional Information

Wiring diagram pages 88-91

26 Frame Permanent Magnet DC Motors

Part Number	Volts	HP	RPM	Watts	Amps	Form Factor	Torque (oz-in)	Torque Contant	Terminal Resistance	Voltage Contant	Shipping Wt.	Brush
051-206-4005	12	1/44	1870	31	2.61	1.3	12.7	6.713	1.069	4.963	3.75	F
051-206-4015	12	1/20	1800	54	4.51	1.3	28.8	7.796	0.458	5.769	5.25	F
051-206-5005	90	1/53	2475	26	0.29	1.3	7.6	42.578	41.594	31.508	3.75	G
051-206-5015	90	1/27	1810	41	0.46	1.3	20.8	59.621	24.908	44.120	5.25	G

26 Frame PMDC



Part Number	A	B	C	D	E
051-206-4005	3.750	0.875	0.250	0.218	.080
051-206-4015	4.930	1.000	0.312	0.281	.031
051-206-5005	3.750	0.875	0.250	0.218	.080
051-206-5015	4.930	1.000	0.312	0.281	.031

32 Frame Permanent Magnet DC Motors

Motors are available in 12, 24, 90, or 180 volts.
Power range from 1/18 HP to 1/3 HP.



Specifications

Armatures: Dynamically balanced
Commutators: Tang-type, diamond turned
Varnishing: Class H polyester trickle varnishing
Magnets: Highest grade ceramic
Finish: Gloss black powder coat

Brushes: Oversized with integral shunts
Replaceable, pg. 86
Bearings: Double shielded ball
Shafts: Carbon steel
Casting: Zinc alloy
Mounting: Base and face
Insulation: Class F

Additional Information

Wiring diagram pages 88-91
See pages 86-87 for additional accessories

32 Frame Permanent Magnet DC Motors

Part Number	Volts	HP	RPM	Watts	Amps	Form Factor	Torque (oz-in)	KT (oz-in/A)	RT (ohms)	Arm. Induct. (mh)	KE (V/krpm)	Arm Inertia (oz-in-sec ²)	Shipping Wt.	Brush
051-203-4025	12	1/14	1750	80	6.69	1.0	41.0	7.260	0.2913	1.1393	5.368	0.0195	8.25	A
	24	1/6	4200	164	6.83	1.0	41.0	7.260	0.2913	1.1393	5.368	0.0195	8.25	A
051-203-4035	12	1/7	1750	143	11.95	1.0	90.0	8.294	0.1563	0.6367	6.133	0.0423	9.25	A
	24	1/4	3580	292	12.18	1.0	90.0	8.294	0.1563	0.6367	6.133	0.0423	9.25	A
051-203-4045	12	1/6	1948	170	14.17	1.0	93.4	7.209	0.1033	0.3939	5.33	0.0524	10.75	A
	24	1/3	4124	345	14.36	1.0	93.4	7.209	0.1033	0.3939	5.33	0.0524	10.75	A
051-203-5025	90	1/18	1800	61	0.68	1.3	31.2	57.070	19.7576	74.6886	42.199	0.0174	8.25	D
051-203-5035	90	1/8	1800	115	1.28	1.3	70.0	61.478	6.6323	34.2597	45.459	0.0411	9.25	D
051-203-5045	90	1/6	1800	155	1.72	1.3	90.0	61.197	5.1412	27.3643	45.251	0.0515	10.75	D
051-203-7005	180	1/14	2350	81	0.45	1.2	31.2	92.349	52.4115	195.5731	68.285	0.0174	8.25	D
051-203-7015	180	1/8	1800	115	0.64	1.3	70.0	122.957	29.4829	137.0389	90.917	0.0411	9.25	D
051-203-7025	180	1/6	1800	155	0.86	1.3	93.4	119.48	19.5003	104.3069	88.347	0.0515	10.75	D

32 Frame PMDC

Part Number	A
051-203-4025	4.890
051-203-4035	6.890
051-203-4045	7.890
051-203-5025	4.890
051-203-5035	6.890
051-203-5045	7.890
051-203-7005	4.890
051-203-7015	6.890
051-203-7025	7.890

